

**Silicon PNP Power Transistors**

**2SA1095**

**DESCRIPTION**

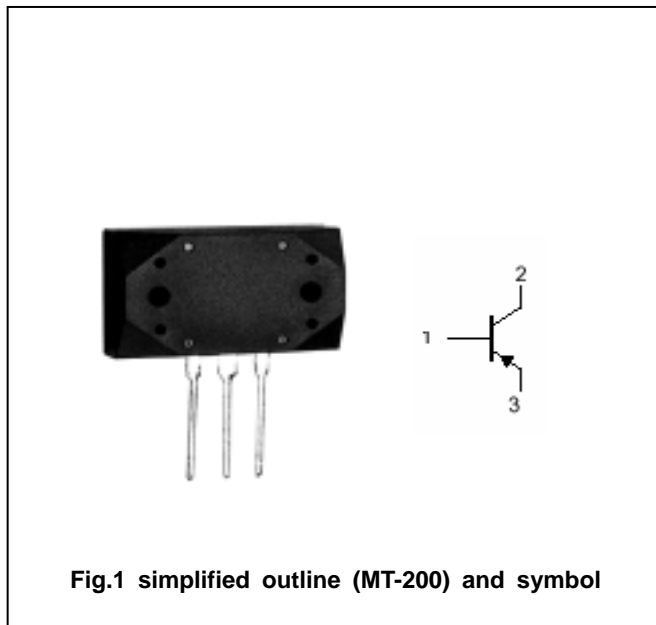
- With MT-200 package
- Complement to type 2SC2565
- High breakdown voltage
- High transition frequency

**APPLICATIONS**

- Power amplifier applications
- Recommended for 100W high-fidelity audio frequency amplifier output stage

**PINNING(see Fig.2)**

PIN	DESCRIPTION
1	Base
2	Collector;connected to mounting base
3	Emitter



**Absolute maximum ratings (Ta=25 )**

SYMBOL	PARAMETER	CONDITIONS	VALUE	UNIT
V <sub>CBO</sub>	Collector-base voltage	Open emitter	-160	V
V <sub>CEO</sub>	Collector-emitter voltage	Open base	-160	V
V <sub>EBO</sub>	Emitter-base voltage	Open collector	-5	V
I <sub>C</sub>	Collector current		-15	A
I <sub>E</sub>	Emitter current		15	A
P <sub>C</sub>	Collector power dissipation	T <sub>C</sub> =25	150	W
T <sub>j</sub>	Junction temperature		150	
T <sub>stg</sub>	Storage temperature		-55~150	

## CHARACTERISTICS

T<sub>j</sub>=25 unless otherwise specified

SYMBOL	PARAMETER	CONDITIONS	MIN	TYP.	MAX	UNIT
V <sub>(BR)CEO</sub>	Collector-emitter breakdown voltage	I <sub>C</sub> =-100mA; I <sub>B</sub> =0	-160			V
V <sub>(BR)EBO</sub>	Emitter-base breakdown voltage	I <sub>E</sub> =-10mA; I <sub>C</sub> =0	-5			V
V <sub>CEsat</sub>	Collector-emitter saturation voltage	I <sub>C</sub> =-5 A; I <sub>B</sub> =-0.5 A			-2.0	V
V <sub>BE</sub>	Base-emitter on voltage	I <sub>C</sub> =-5A ; V <sub>CE</sub> =-5V			-2.0	V
I <sub>CBO</sub>	Collector cut-off current	V <sub>CB</sub> =-160V; I <sub>E</sub> =0			-50	μ A
I <sub>EBO</sub>	Emitter cut-off current	V <sub>EB</sub> =-5V; I <sub>C</sub> =0			-50	μ A
h <sub>FE-1</sub>	DC current gain	I <sub>C</sub> =-1A ; V <sub>CE</sub> =-5V	55		240	
h <sub>FE-2</sub>	DC current gain	I <sub>C</sub> =-5A ; V <sub>CE</sub> =-5V	40			
f <sub>T</sub>	Transition frequency	I <sub>C</sub> =-1A ; V <sub>CE</sub> =-10V		60		MHz
C <sub>OB</sub>	Output capacitance	I <sub>E</sub> =0; V <sub>CB</sub> =-10V; f=1MHz		350		pF

◆ h<sub>FE</sub> classifications

R	O	Y
55-110	80-160	120-240

Silicon PNP Power Transistors

2SA1095

PACKAGE OUTLINE

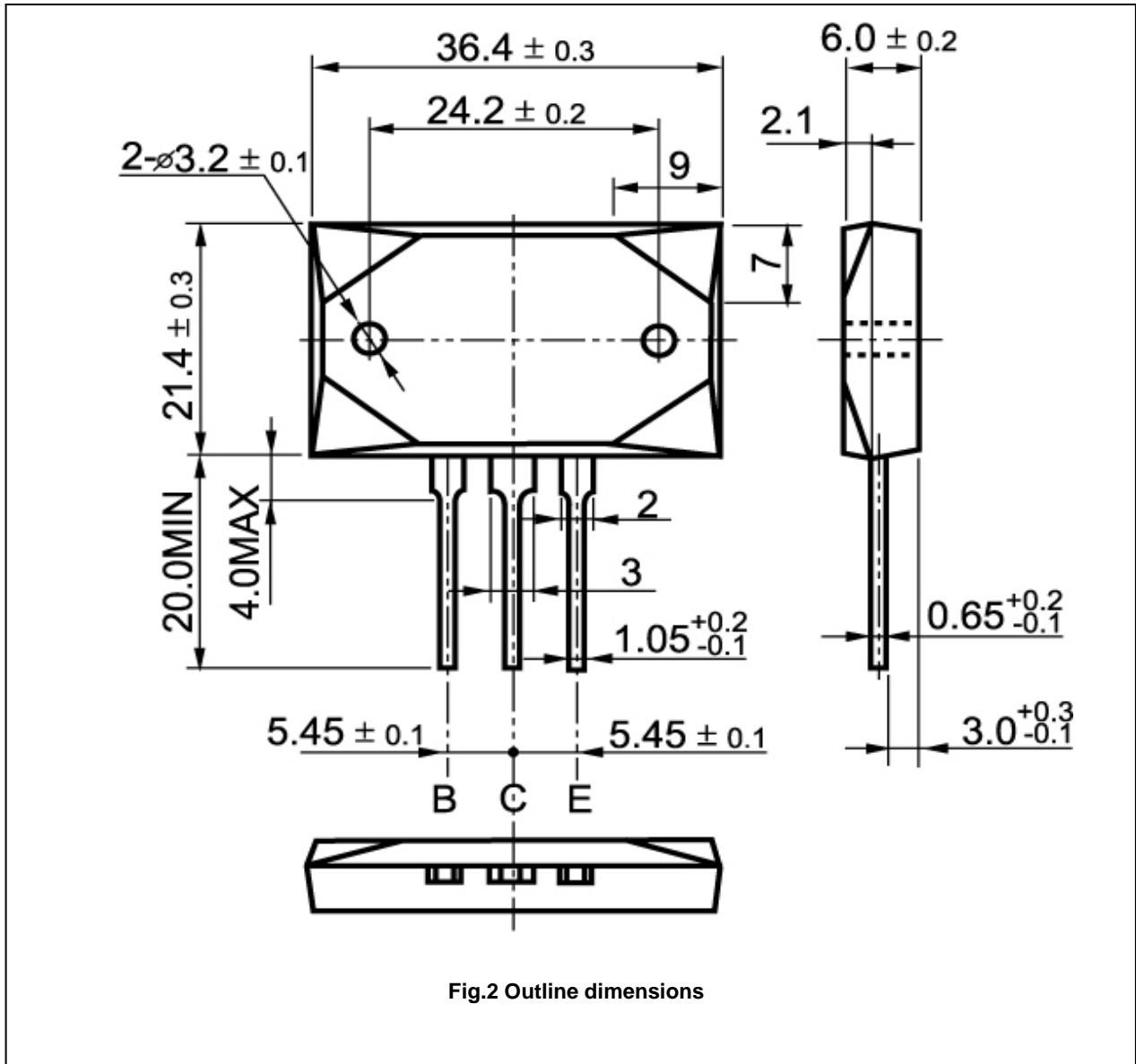


Fig.2 Outline dimensions