

Silicon PNP Power Transistors

2SA1280

DESCRIPTION

- With TO-220F package
- High breakdown voltage
- High power dissipation

APPLICATIONS

- For use in low frequency power amplifier
Color TV vertical deflection output

PINNING

PIN	DESCRIPTION
1	Base
2	Collector
3	Emitter

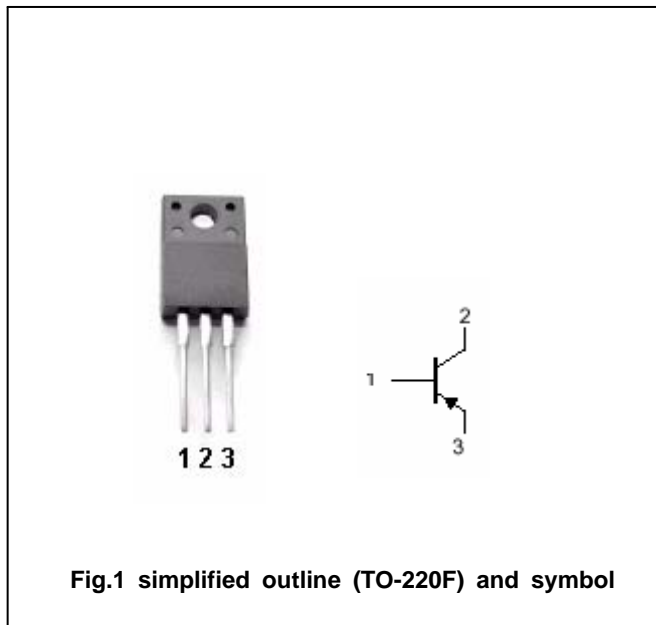


Fig.1 simplified outline (TO-220F) and symbol

Absolute maximum ratings (Ta=25)

SYMBOL	PARAMETER	CONDITIONS	VALUE	UNIT
V_{CBO}	Collector-base voltage	Open emitter	-150	V
V_{CEO}	Collector-emitter voltage	Open base	-150	V
V_{EBO}	Emitter-base voltage	Open collector	-6	V
I_C	Collector current		-1.5	A
P_C	Collector dissipation	$T_C=25$	25	W
T_j	Junction temperature		150	
T_{stg}	Storage temperature		-55~150	

Silicon PNP Power Transistors

2SA1280

CHARACTERISTICS

T_j=25 unless otherwise specified

SYMBOL	PARAMETER	CONDITIONS	MIN	TYP.	MAX	UNIT
V _{(BR)CEO}	Collector-emitter breakdown voltage	I _C =-10mA ; I _B =0	-150			V
V _{CEsat}	Collector-emitter saturation voltage	I _C =-500mA; I _B =-50mA			-3.0	V
V _{BE}	Base-emitter on voltage	I _C =-50mA ; V _{CE} =-4V			-1.0	V
I _{CBO}	Collector cut-off current	V _{CB} =-120V; I _E =0			-1	μ A
I _{EBO}	Emitter cut-off current	V _{EB} =-6V; I _C =0			-1	μ A
h _{FE-1}	DC current gain	I _C =-50mA ; V _{CE} =-4V	60		200	
h _{FE-2}	DC current gain	I _C =-500mA ; V _{CE} =-10V	60			
f _T	Transition frequency	I _C =-500mA ; V _{CE} =-10V	4			MHz
C _{OB}	Output capacitance	I _E =0 ; V _{CB} =-100V; f=1MHz		30		pF

Silicon PNP Power Transistors

2SA1280

PACKAGE OUTLINE

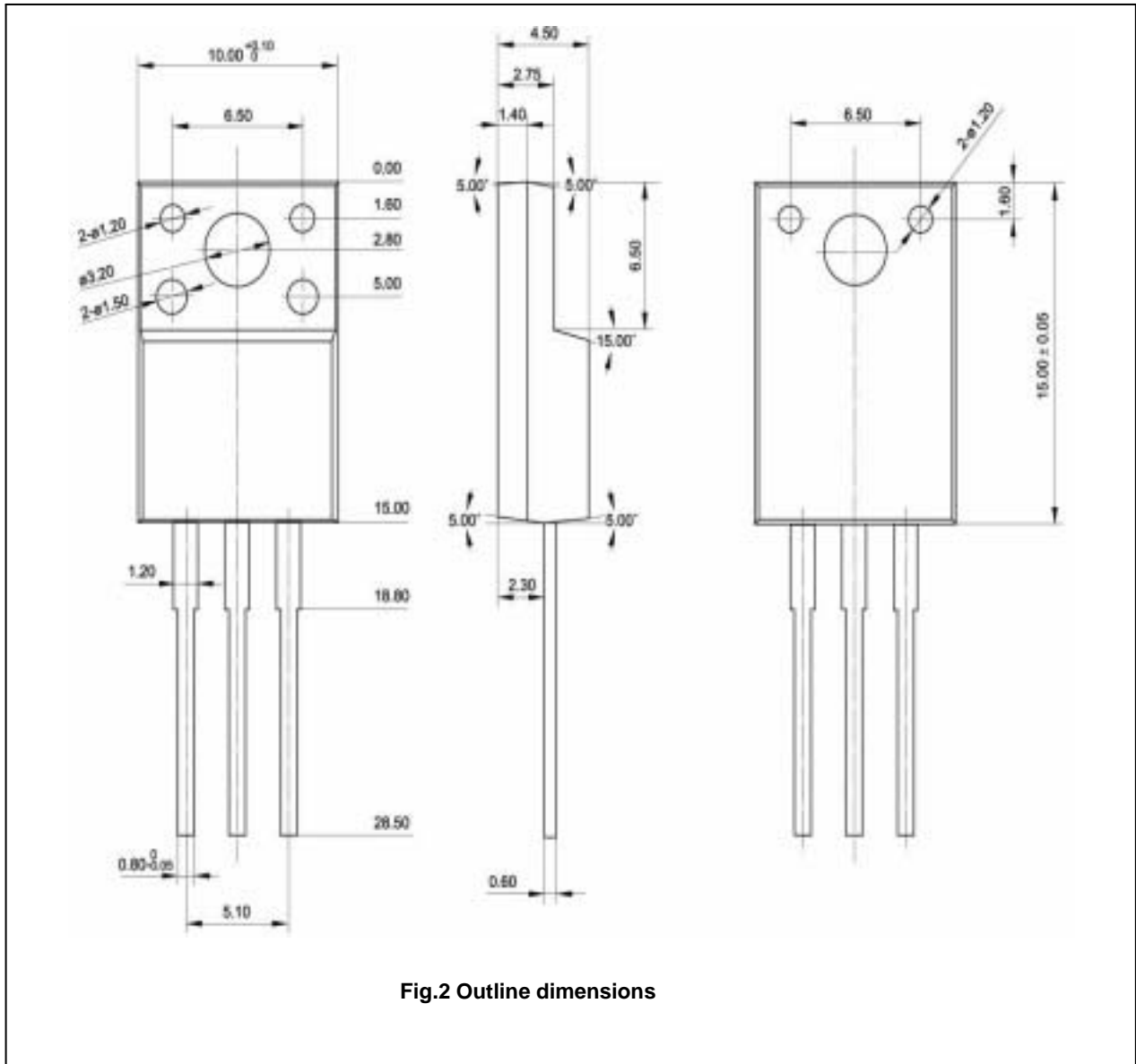


Fig.2 Outline dimensions