

**Silicon PNP Power Transistors**

**2SB772**

**DESCRIPTION**

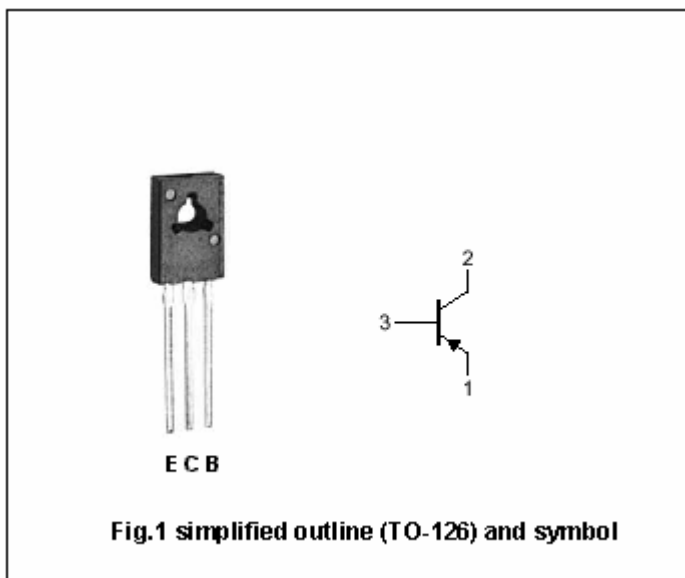
- With TO-126 package
- Complement to type 2SD882

**APPLICATIONS**

- Suited for the output stage of 3 watts audio amplifier ,voltage regulator ,DC-DC converter and relay driver

**PINNING**

PIN	DESCRIPTION
1	Emitter
2	Collector;connected to mounting base
3	Base



**Absolute maximum ratings(Ta=25 )**

SYMBOL	PARAMETER	CONDITIONS	VALUE	UNIT
$V_{CBO}$	Collector-base voltage	Open emitter	-40	V
$V_{CEO}$	Collector-emitter voltage	Open base	-30	V
$V_{EBO}$	Emitter-base voltage	Open collector	-5	V
$I_C$	Collector current (DC)		-3	A
$I_{CM}$	Collector current-Peak		-7	A
$P_D$	Total power dissipation	$T_a=25$	1.0	W
		$T_C=25$	10	
$T_j$	Junction temperature		150	
$T_{stg}$	Storage temperature		-55~150	

## Silicon PNP Power Transistors

## 2SB772

## CHARACTERISTICS

T<sub>j</sub>=25 unless otherwise specified

SYMBOL	PARAMETER	CONDITIONS	MIN	TYP.	MAX	UNIT
V <sub>(BR)CEO</sub>	Collector-emitter breakdown voltage	I <sub>C</sub> =-10mA ; I <sub>B</sub> =0	-30			V
V <sub>CEsat</sub>	Collector-emitter saturation voltage	I <sub>C</sub> =-2.0A ; I <sub>B</sub> =-0.2A		-0.3	-0.5	V
V <sub>BEsat</sub>	Base-emitter saturation voltage	I <sub>C</sub> =-2.0A ; I <sub>B</sub> =-0.2A		-1.0	-2.0	V
I <sub>CBO</sub>	Collector cut-off current	V <sub>CB</sub> =-30V ; I <sub>E</sub> =0			-1.0	μA
I <sub>EBO</sub>	Emitter cut-off current	V <sub>EB</sub> =-3V ; I <sub>C</sub> =0			-1.0	μA
h <sub>FE-1</sub>	DC current gain	I <sub>C</sub> =-20mA ; V <sub>CE</sub> =-2V	30			
h <sub>FE-2</sub>	DC current gain	I <sub>C</sub> =-1A ; V <sub>CE</sub> =-2V	60		400	
f <sub>T</sub>	Transition frequency	I <sub>C</sub> =-0.1A ; V <sub>CE</sub> =-5V		80		MHz
C <sub>OB</sub>	Collector output capacitance	I <sub>E</sub> =0 ; f=1MHz ; V <sub>CB</sub> =-10V		55		pF

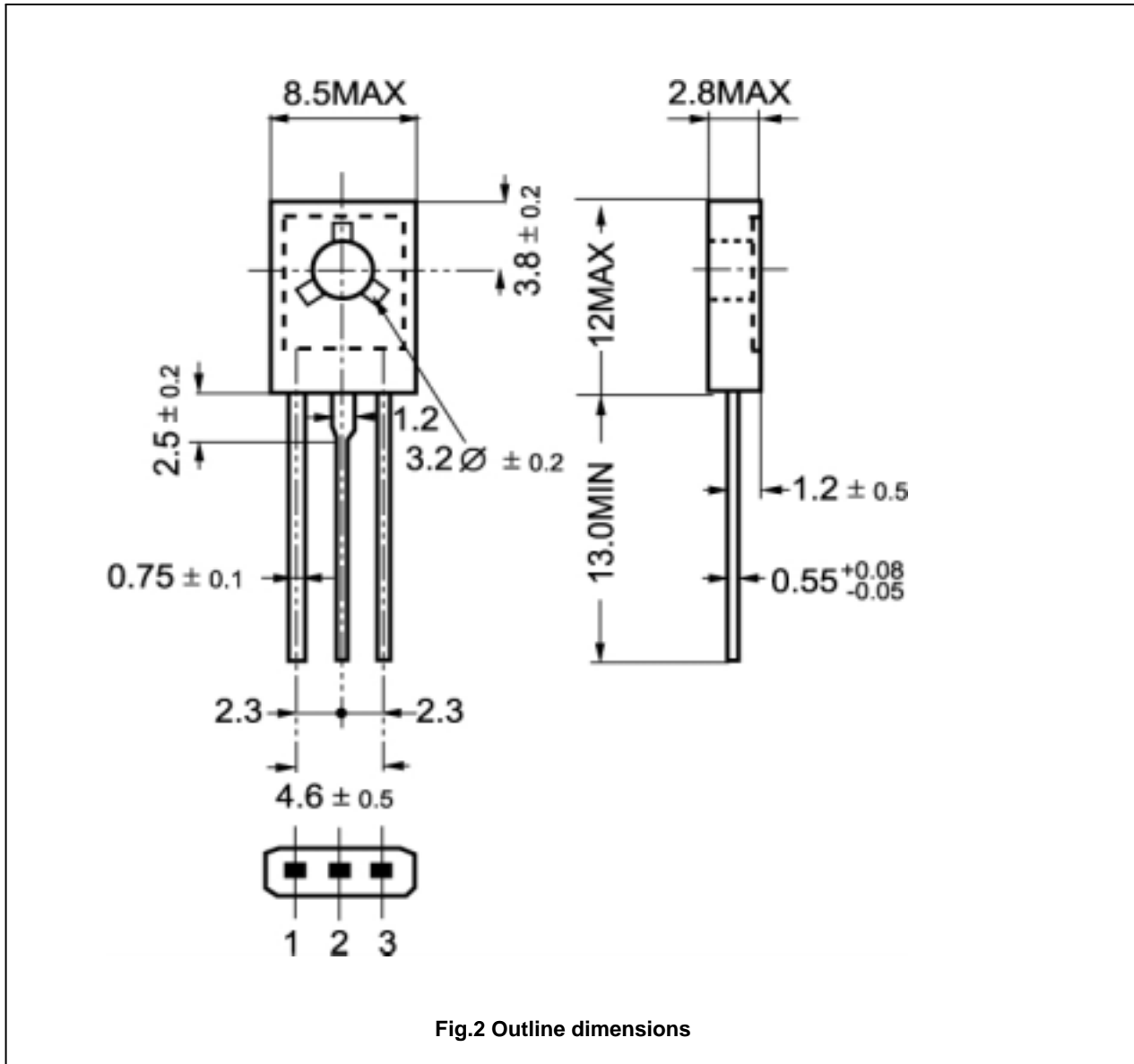
◆ h<sub>FE-2</sub> Classifications

R	Q	P	E
60-120	100-200	160-320	200-400

Silicon PNP Power Transistors

2SB772

PACKAGE OUTLINE



Silicon PNP Power Transistors

2SB772

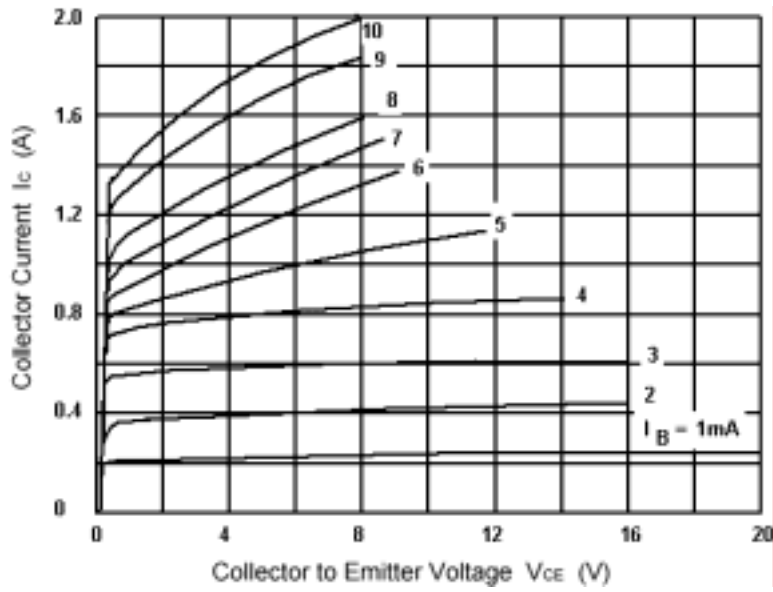


Fig.3 Static Characteristic

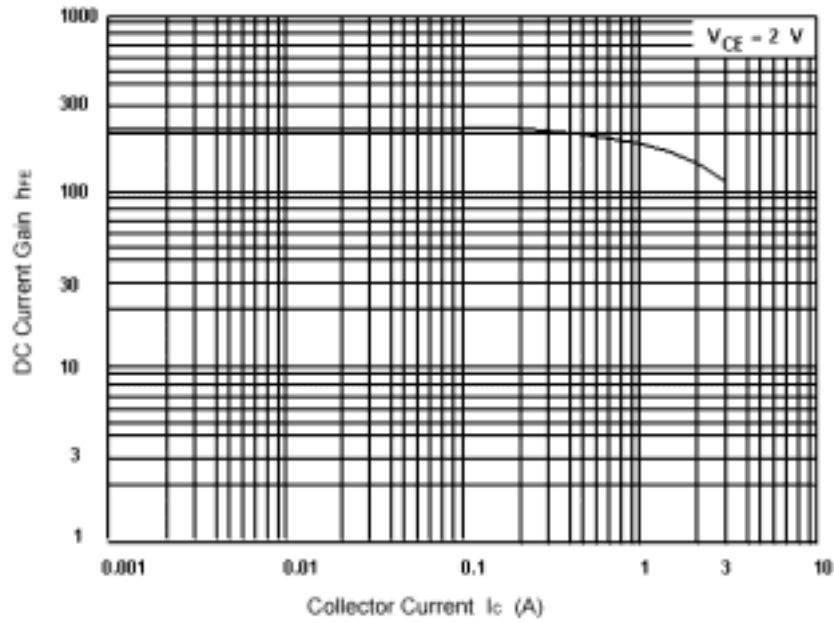


Fig.4 DC current Gain

Silicon PNP Power Transistors

2SB772

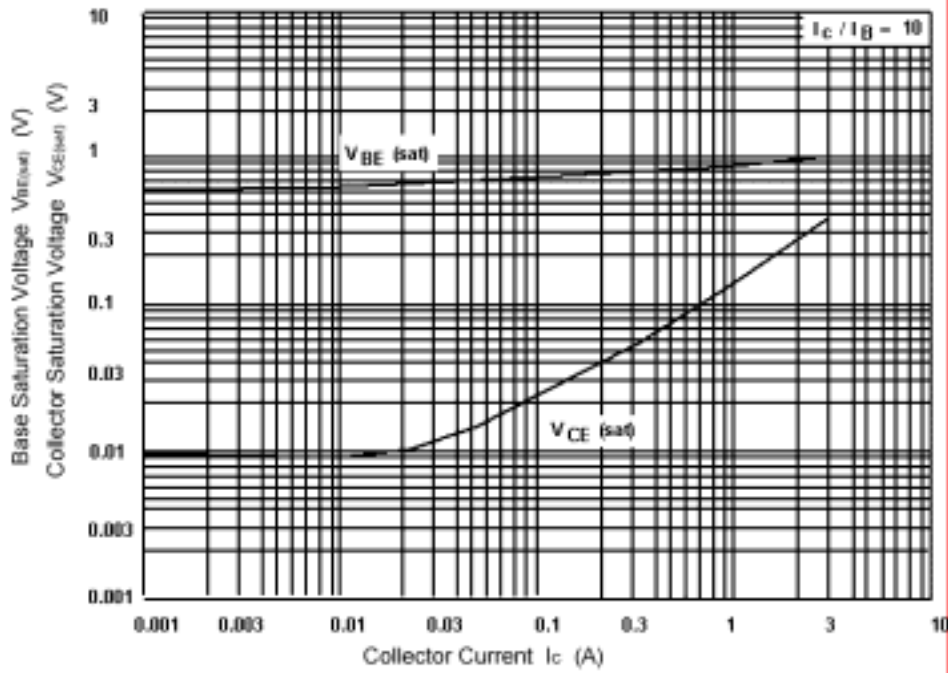


Fig.5 Base-Emitter Saturation Voltage  
Collector-Emitter Saturation Voltage

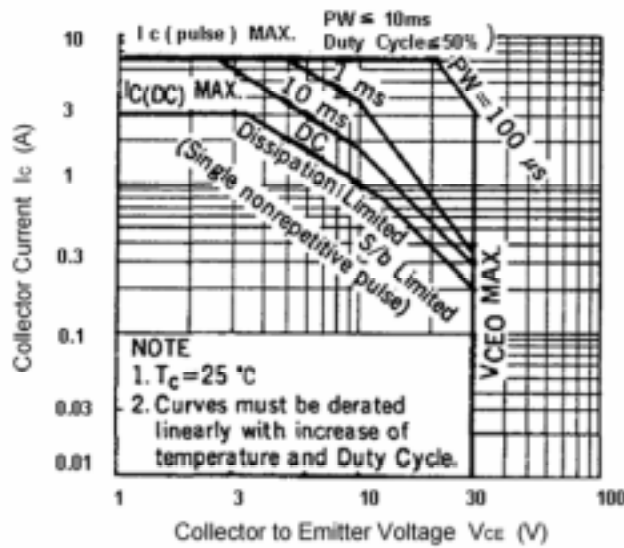


Fig.6 Safe Operating Area