

Silicon PNP Power Transistors

2SB887

DESCRIPTION

- With TO-3PN package
- High DC current gain.
- Large current capacity and wide ASO.
- Low saturation voltage.
- DARLINGTON

APPLICATIONS

- Motor drivers, printer
- Hammer drivers
- Relay drivers,
- Voltage regulator control

PINNING

PIN	DESCRIPTION
1	Base
2	Collector;connected to mounting base
3	Emitter

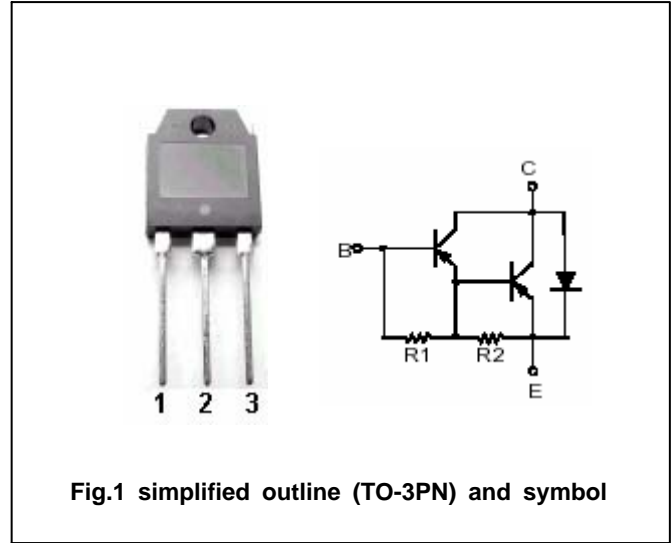


Fig.1 simplified outline (TO-3PN) and symbol

Absolute maximum ratings($T_c=25$)

SYMBOL	PARAMETER	CONDITIONS	VALUE	UNIT
V_{CBO}	Collector-base voltage	Open emitter	-110	V
V_{CEO}	Collector-emitter voltage	Open base	-100	V
V_{EBO}	Emitter-base voltage	Open collector	-6	V
I_C	Collector current (DC)		-10	A
I_{CM}	Collector current-peak		-15	A
P_C	Collector power dissipation	$T_c=25$	70	W
T_j	Junction temperature		150	
T_{stg}	Storage temperature		-55~150	

Silicon PNP Power Transistors

2SB887

CHARACTERISTICS

T_j=25 unless otherwise specified

SYMBOL	PARAMETER	CONDITIONS	MIN	TYP.	MAX	UNIT
V _{(BR)CEO}	Collector-emitter breakdown voltage	I _C =-50mA ; R _{BE} =∞	-100			V
V _{(BR)CBO}	Collector-base breakdown voltage	I _C =-5mA ; I _E =0	-110			V
V _{CEsat}	Collector-emitter saturation voltage	I _C =-5A; I _B =-10mA		-1.0	-1.5	V
V _{BEsat}	Base-emitter saturation voltage	I _C =-5A; I _B =-10mA			-2.0	V
I _{CBO}	Collector cut-off current	V _{CB} =-80V; I _E =0			-0.1	mA
I _{EBO}	Emitter cut-off current	V _{EB} =-5V; I _C =0			-3.0	mA
h _{FE}	DC current gain	I _C =-5A ; V _{CE} =-3V	1500	4000		
f _T	Transition frequency	I _C =-5A ; V _{CE} =-5V		20		MHz

Silicon PNP Power Transistors

2SB887

PACKAGE OUTLINE

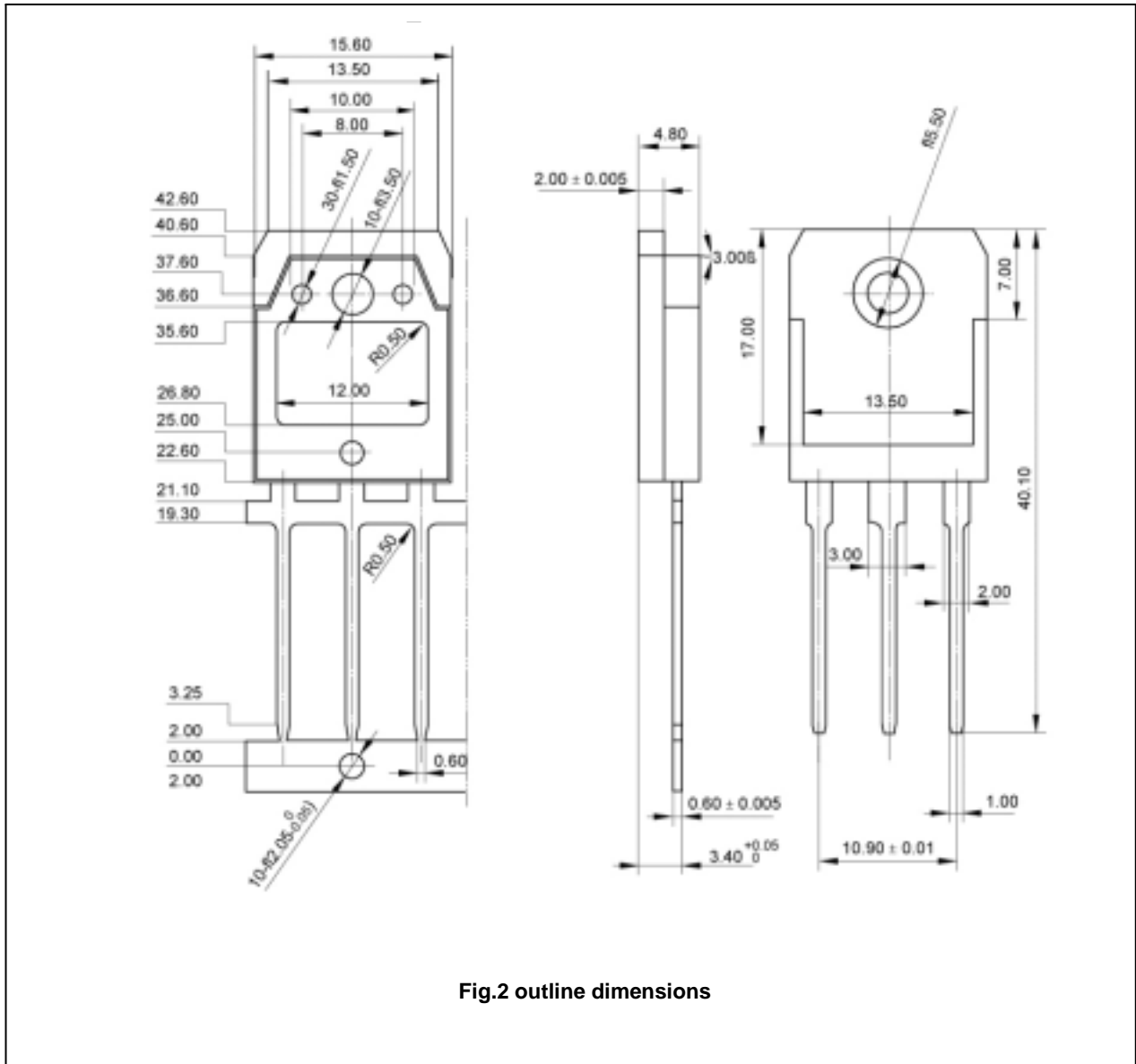


Fig.2 outline dimensions