

Silicon NPN Power Transistors

2SC4769

DESCRIPTION

- With TO-3PML package
- High breakdown voltage, high reliability.
- High speed
- Built in damper diode

APPLICATIONS

- Ultrahigh-definition color display
- Horizontal deflection output applications

PINNING

PIN	DESCRIPTION
1	Base
2	Collector
3	Emitter

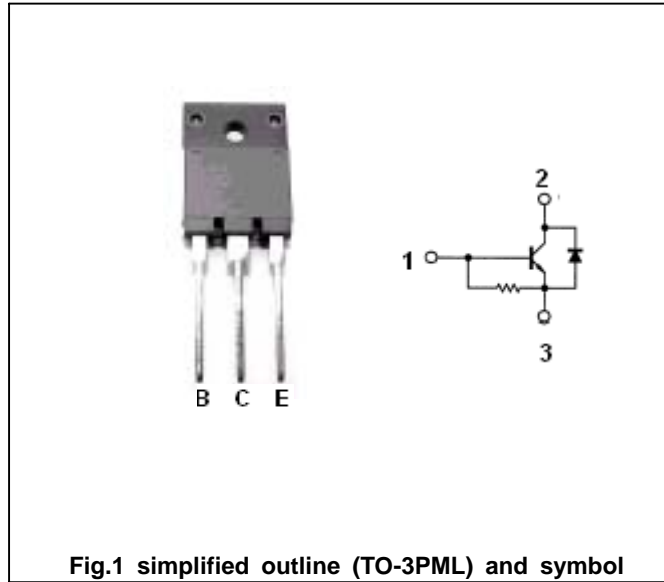


Fig.1 simplified outline (TO-3PML) and symbol

Maximum absolute ratings(Tc=25)

SYMBOL	PARAMETER	CONDITIONS	VALUE	UNIT
V _{CB0}	Collector-base voltage	Open emitter	1500	V
V _{CE0}	Collector-emitter voltage	Open base	800	V
V _{EBO}	Emitter-base voltage	Open collector	6	V
I _C	Collector current		7	A
I _{CM}	Collector current-peak		16	A
P _C	Collector power dissipation	T _C =25	60	W
			3	W
T _j	Junction temperature		150	
T _{stg}	Storage temperature		-55~150	

Silicon NPN Power Transistors

2SC4769

CHARACTERISTICS

T_j=25 unless otherwise specified

SYMBOL	PARAMETER	CONDITIONS	MIN	TYP.	MAX	UNIT
V _{CEsat}	Collector-emitter saturation voltage	I _C =5A; I _B =1.7 A			5	V
V _{BEsat}	Base-emitter saturation voltage	I _C =5A; I _B =1.7 A			1.5	V
V _{CEO(SUS)}	Collector-emitter sustaining voltage	I _C =100mA; I _B =0	800			V
I _{EBO}	Emitter cut-off current	V _{EB} =4V I _C =0	40		130	mA
I _{CBO}	Collector cut-off current	V _{CB} =800V I _E =0			10	μ A
I _{CES}	Collector cut-off current	V _{CE} =1500V; R _{BE} =0			1	mA
h _{FE-1}	DC current gain	I _C =1 A ; V _{CE} =5V	8			
h _{FE-2}	DC current gain	I _C =5A ; V _{CE} =5V	3		8	
V _F	Diode forward voltage	I _{EC} =7A			2.0	V

Switching times

t _{stg}	Storage time	I _C =4A; R _L =33.3 I _{B1} =0.8A; - I _{B2} =1.6A V _{CC} =200V			3.0	μ s
t _f	Fall time			0.1	0.2	μ s

◆ h_{FE-2} classifications

1	2	3
3-5	4-6	5-8

Silicon NPN Power Transistors

2SC4769

PACKAGE OUTLINE

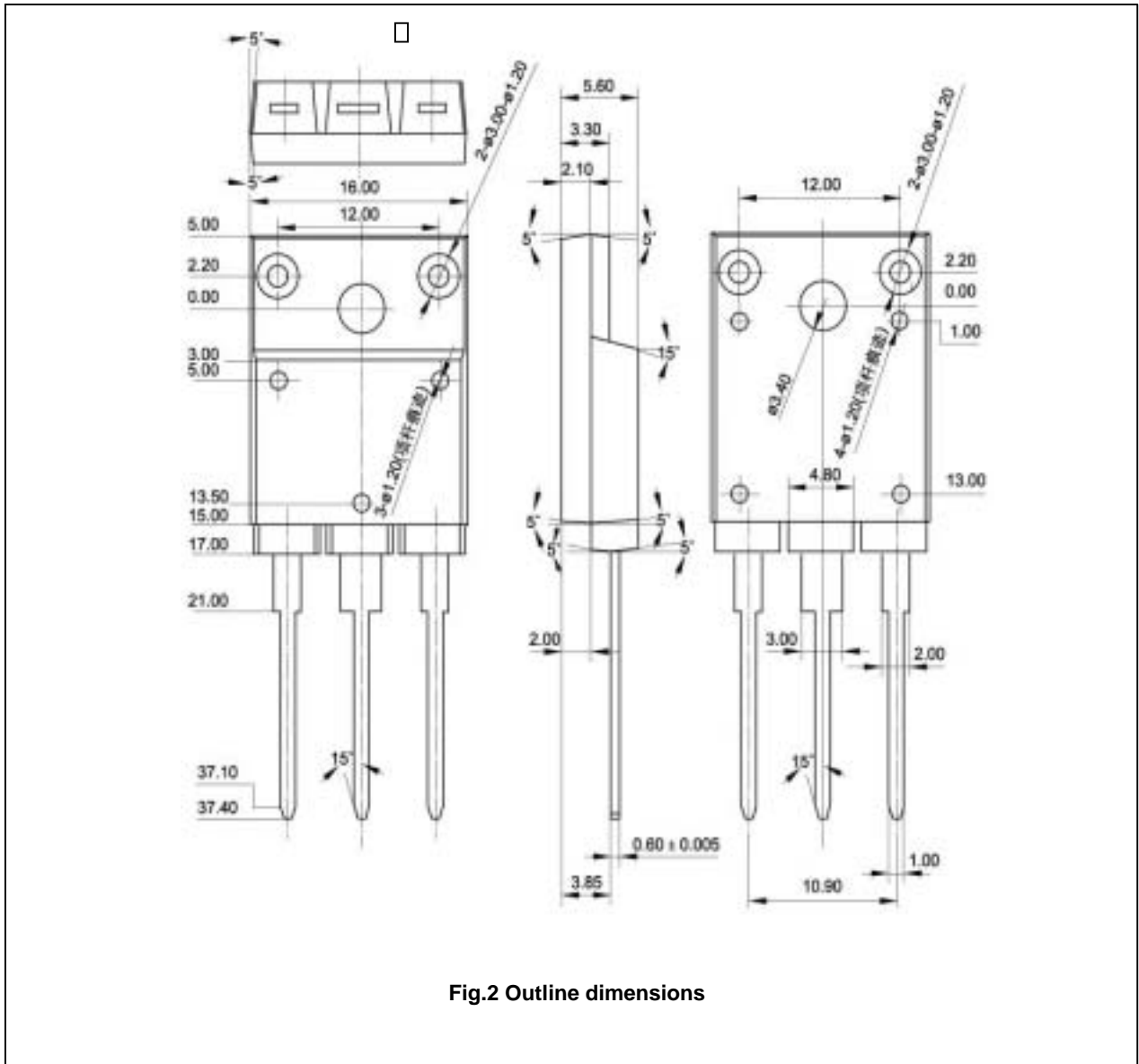


Fig.2 Outline dimensions