

**Silicon NPN Power Transistors**

**2SD1275 2SD1275A**

**DESCRIPTION**

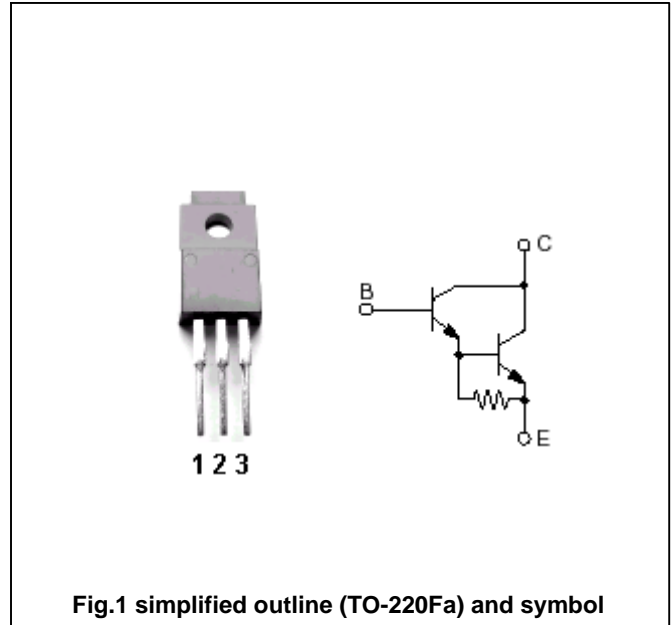
- With TO-220Fa package
- Complement to type 2SB949,2SB949A
- High forward current transfer ratio  $h_{FE}$
- High-speed switching

**APPLICATIONS**

- For power amplification

**PINNING**

PIN	DESCRIPTION
1	Base
2	Collector
3	Emitter



**ABSOLUTE MAXIMUM RATINGS AT  $T_c=25$**

SYMBOL	PARAMETER	CONDITIONS	VALUE	UNIT
$V_{CBO}$	Collector-base voltage	2SD1275	60	V
		2SD1275A	80	
$V_{CEO}$	Collector-emitter voltage	2SD1275	60	V
		2SD1275A	80	
$V_{EBO}$	Emitter-base voltage	Open collector	5	V
$I_C$	Collector current (DC)		2	A
$I_{CM}$	Collector current-Peak		4	A
$P_C$	Collector power dissipation	$T_c=25$	35	W
		$T_a=25$	2	
$T_j$	Junction temperature		150	
$T_{stg}$	Storage temperature		-55~150	

## Silicon NPN Power Transistors

## 2SD1275 2SD1275A

## CHARACTERISTICS

T<sub>j</sub>=25 unless otherwise specified

SYMBOL	PARAMETER	CONDITIONS	MIN	TYP.	MAX	UNIT	
V <sub>CEO</sub>	Collector-emitter breakdown voltage	2SD1275	I <sub>C</sub> =30mA, I <sub>B</sub> =0	60			V
		2SD1275A		80			
V <sub>CEsat</sub>	Collector-emitter saturation voltage	I <sub>C</sub> =2A; I <sub>B</sub> =8mA			2.5	V	
V <sub>BE</sub>	Base-emitter voltage	V <sub>CE</sub> =4V; I <sub>C</sub> =2A			2.8	V	
I <sub>CBO</sub>	Collector cut-off current	2SD1275			1	mA	
		2SD1275A					V <sub>CB</sub> =80V; I <sub>E</sub> =0
I <sub>CEO</sub>	Collector cut-off current	2SD1275			2	mA	
		2SD1275A					V <sub>CE</sub> =40V; I <sub>B</sub> =0
I <sub>EBO</sub>	Emitter cut-off current	V <sub>EB</sub> =5V; I <sub>C</sub> =0			2	mA	
h <sub>FE-1</sub>	DC current gain	I <sub>C</sub> =1A; V <sub>CE</sub> =4V	1000				
h <sub>FE-2</sub>	DC current gain	I <sub>C</sub> =2A; V <sub>CE</sub> =4V	2000		10000		
f <sub>T</sub>	Transition frequency	I <sub>C</sub> =0.5A; V <sub>CE</sub> =10V; f=1MHz		20		MHz	

## Switching times

t <sub>on</sub>	Turn-on time	I <sub>C</sub> =2A; I <sub>B1</sub> =8mA I <sub>B2</sub> =-8mA; V <sub>CC</sub> =50V		0.5		μs
t <sub>s</sub>	Storage time			4		μs
t <sub>f</sub>	Fall time			1		μs

◆ h<sub>FE-2</sub> Classifications

Q	R
2000-5000	4000-10000

Silicon NPN Power Transistors

2SD1275 2SD1275A

PACKAGE OUTLINE

